



PRODUCT: DUST-AID Platinum

DUST-AID *Platinum*

LOGO

DUST-AID Platinum uses a platinum cured silicone cleaning surface that does not use mold release agents in its forming. This eliminates the possibility of contamination when the silicone is made. The silicone is designed with a micro texture which helps to eliminate vacuum pressure when placed on a glass surface. It safely cleans uncoated, coated and internal dust removal system sensor filters. DUST-AID Platinum can be used repeatedly when the silicone is cleaned with the included cleaning strips. Purchasing additional cleaning strips will allow for continued use of DUST-AID Platinum.

POINT OF DIFFERENCE

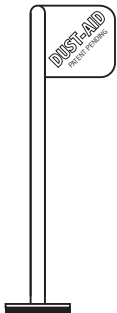
DUST-AID Platinum is used to safely remove static clung dust and fibers from all DSLR camera sensor filters. It is a silicone based cleaner that can be used repeatedly when cleaned with the included cleaning strips.

DESCRIPTION

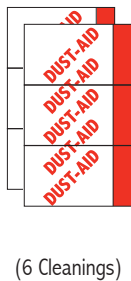
- Removes dust from all sensor filters
- Unique platinum cured silicone designed for optic applications.
- Safe to use on cameras with internal dust removal systems
- Can last a lifetime when used with additional cleaning strips
- Approved for ITO and Dichroic coated sensor filters
- No liquids or chemicals used to clean surfaces
- Silicone designed to leave no residue when used properly
- Patent Pending

BULLET POINTS

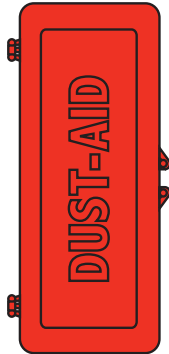
CLEANING WAND



CLEANING STRIPS



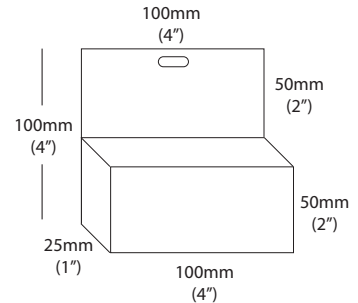
TRAVEL CASE



MANUAL



RETAIL PACKAGING SIZE



CONTENTS

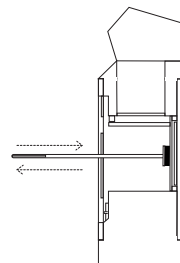
STEP 1: Remove one tab from a cleaning strip to expose a specifically designed adhesive that is used to clean the cleaning wand silicone. The cleaning adhesive has been designed not to transfer adhesive to the silicone.

STEP 2: Apply the cleaning wand silicone base to the cleaning adhesive to remove any dust from the silicone.

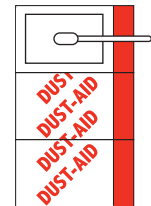
STEP 3: Remove the wand from the adhesive and apply the silicone to the sensor filter in a straight up/down manor.

STEP 4: Once done, place wand and cleaning strips back into travel case.

USAGE OVERVIEW



Cleans Camera Sensor Filter



Cleans Silicone with Cleaning Strip

USAGE ILLUSTRATION